

| | | | |
|------------------|--------------|-----------------|---------------------------|
| MOD. 9610 | PN 16 | DE 25-63 | Straight male adaptor. |
| MOD. 9620 | PN 16 | DE 25-63 | Straight female adaptor. |
| MOD. 9630 | PN 16 | DE 25-63 | Straight connector. |
| MOD. 9646 | PN 16 | DE 25-63 | Elbow 90° male fitting. |
| MOD. 9641 | PN 16 | DE 25-63 | Elbow 90° female fitting. |
| MOD. 9640 | PN 16 | DE 25-63 | Elbow 90° connector. |
| MOD. 9650 | PN 16 | DE 25-63 | Tee piece. |



Mod. 9610



Mod. 9620



Mod. 9630



Mod. 9646



Mod. 9640

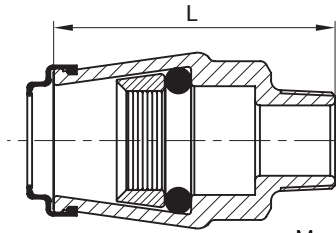


Mod. 9650

SPECIAL FEATURES

- Push-on fittings for PE pipes, fully restraint.
- Body high quality EPOXY powder coated (fusion bonded), coating thickness DFT min. 250 microns, zero porosity (tested with 3000V), high impact resistance and cross-linkage according to DIN 30677-2 and DIN 3476.
- Perfect tightness by O-Ring and independent from mechanical clamping of pipe.
- Retaining system obtained by conical grip ring in high-impact plastic with ribbed profile.
- Complete with dust cap to protect the sealing and gripping area against dirt from outside.
- Threads according to EN 10226 with octagonal shape for easy installation with standard tools.

All metal, rubber, and coatings used have been designed for contact with water for human consumption, pursuant to the terms of Italian Health Ministry decree n° 174, dated 6/4/2004.



Mod. 9610

MATERIALS
Body:

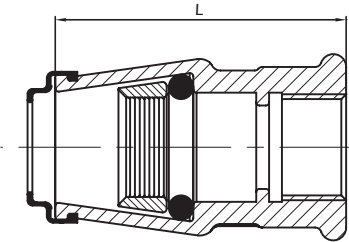
Ductile iron EN-GJS-400-15 / EN 1563
(former to DIN GGG40)

O-ring:

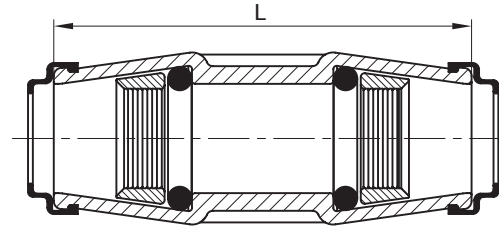
Rubber, potable water approved

Grip ring:

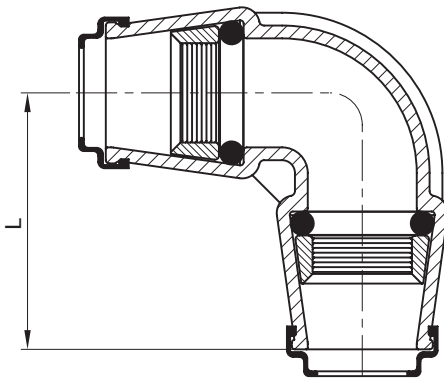
POM



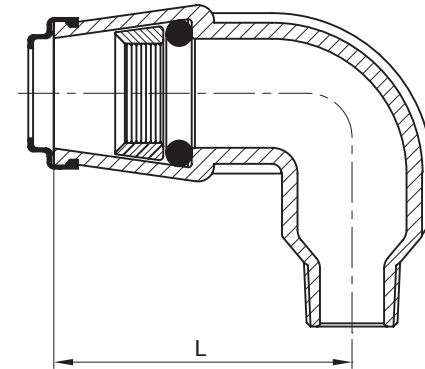
Mod. 9620



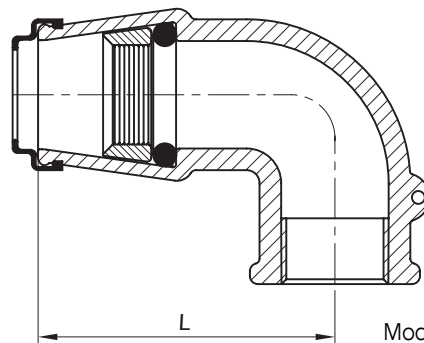
Mod. 9630



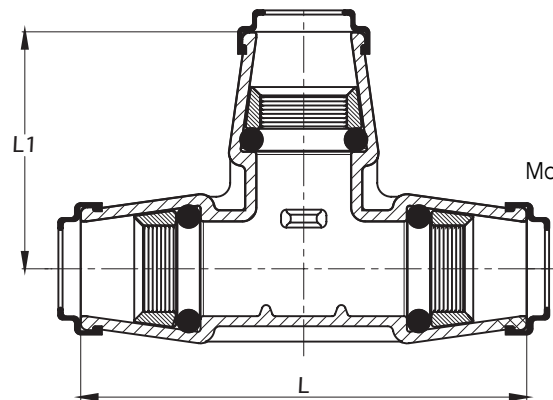
Mod. 9640



Mod. 9646



Mod. 9641



Mod. 9650

| DN | Ø | L | | | | | | | L1 | Weight (kg) | | | | | | |
|-------|----|------|------|------|------|------|------|------|-----|-------------|------|------|------|------|------|------|
| | | 9610 | 9620 | 9630 | 9646 | 9641 | 9640 | 9650 | | 9610 | 9620 | 9630 | 9646 | 9641 | 9640 | 9650 |
| 3/4" | 25 | 74 | 80 | 105 | 81 | 81 | 72 | - | - | 0,24 | 0,25 | 0,35 | 0,53 | 0,4 | 0,5 | - |
| 1" | 32 | 88 | 91 | 130 | 93 | 93 | 80 | 160 | 85 | 0,35 | 0,45 | 0,65 | 0,76 | 0,7 | 0,8 | 1 |
| 1"1/4 | 40 | 100 | 106 | 140 | 106 | 106 | 100 | 200 | 100 | 0,65 | 0,7 | 0,97 | 1,13 | 0,9 | 1,2 | 1,9 |
| 1"1/2 | 50 | 117 | 121 | 190 | 128 | 128 | 130 | 230 | 120 | 0,95 | 1 | 1,5 | 1,73 | 1,9 | 2,2 | 2,6 |
| 2" | 63 | 138 | 141 | 215 | 156 | 156 | 150 | 280 | 140 | 1,45 | 1,7 | 2,3 | 2,87 | 2,5 | 3,5 | 4,6 |

All metal, rubber, and coatings used have been designed for contact with water for human consumption, pursuant to the terms of Italian Health Ministry decree n° 174, dated 6/4/2004.