

# FLANGE AND CONNECTORS

## UNIVERSAL CONNECTOR RACI-RANGE



MOD. 9220 | PN 16 | DN 40-600

Universal connector.



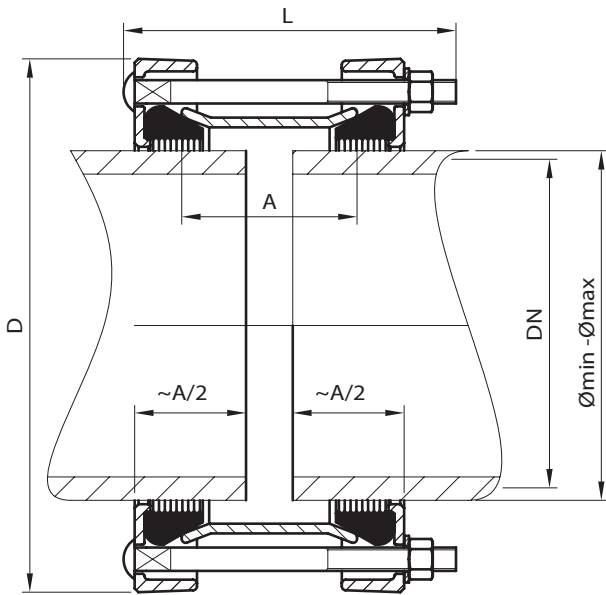
### SPECIAL FEATURES

- Universal connector with medium range for metal, AC and PVC pipes, non-restraint.
- Body and compression ring high quality EPOXY powder coated (fusion bonded), coating thickness DFT min. 250 microns, zero porosity (tested with 3000V), high impact resistance and cross-linkage according to DIN 30677-2 and DIN 3476.
- Hydraulic sealing obtained by compression of gasket between pipe and special seat on body.
- Bolts/nuts/washers from steel, high quality corrosion protected.
- The product is not restraint, anchoring of the pipe is suggested.



All metal, rubber, and coatings used have been designed for contact with water for human consumption, pursuant to the terms of Italian Health Ministry decree n° 174, dated 6/4/2004.

# UNIVERSAL CONNECTOR RACI-RANGE



## MATERIALS

### Body:

Ductile iron EN-GJS-400-15 / EN 1563  
(former to DIN GGG40)

### Compression ring:

Ductile iron EN-GJS-400-15 / EN 1563  
(former to DIN GGG40)

### Gasket:

Rubber, potable water approved

### Bolts/nuts/washers:

Steel class 8.8, coated against corrosion

DN	Ømin	Ømax	D	L	No. -M	A	Weight (kg)
40	48	60	165	175	2 X M12	100	2,5
50	59	72	180	175	2 X M12	95	3,3
65	72	85	180	175	3 X M12	95	3,4
80	86	106	190	175	4 X M12	95	4,2
100	107	132	214	175	3 X M12	95	5,4
125	132	146	250	175	4 X M12	100	5,4
125	138	153	250	175	4 X M12	95	5,5
150	159	182	278	200	4 X M12	105	7,9
175	192	210	300	220	4 X M12	130	9,9
200	218	235	324	220	4 X M12	130	10
200	230	247	357	220	5 X M12	130	19
225	250	267	406	220	6 X M12	130	19,8
250	272	289	406	220	6 X M12	130	17
300	315	332	440	260	8 X M12	165	24,8
300	322	339	452	220	8 X M12	130	24,6
300	332	349	463	220	8 X M12	130	26,5
350	351	368	491	240	8 X M14	152	36,6
350	374	391	491	240	8 X M14	152	36,6
400	400	429	542	240	8 X M14	152	45,6
400	410	436	542	240	8 X M14	152	45,6
400	417	437	542	240	8 X M14	152	45,6
400	425	442	542	240	8 X M14	152	45,6
450	480	500	589	240	10 X M14	152	54,8
500	500	535	641	240	10 X M14	152	62
500	526	546	641	240	10 X M14	152	62
600	600	635	744	240	10 X M14	152	78,4
600	630	650	744	240	10 X M14	152	78,4

All metal, rubber, and coatings used have been designed for contact with water for human consumption, pursuant to the terms of Italian Health Ministry decree n° 174, dated 6/4/2004.