

TRIPLE FUNCTION COMPACT INTEGRATED PA VERSION

MOD. 5361 | **PN 0,5-25** | **DN 1"**
Male threaded connection, PA.

MOD. 5362 | **PN 0,5-16** | **DN 2"**
Male threaded connection, PA.



SPECIAL FEATURES

- Single type, very compact version fully automatic triple function for releasing air under pressure and during pipe filling and bringing air in (anti-vacuum) during pipe emptying.
- Performances according to the requirements of EN 1074.
- Body, cover and float from plastic material.
- Special rolling gasket for reliable function.
- On demand supplied complete with pressure discharge device.
- On demand supplied complete with angle fitting for rubber pipe collect discharged water.
- Easily demountable for inspection and maintenance.
- Threading to according EN ISO 228.
- Fully UV-resistant.
- Minimum operating pressure for watertight: 0,5 bar.

» **PERFORMANCES:**
FUNCTIONAL DIAGRAMS AT PAGE 5.12

MATERIALS

Body:
Polyamide PA fibre glass reinforced

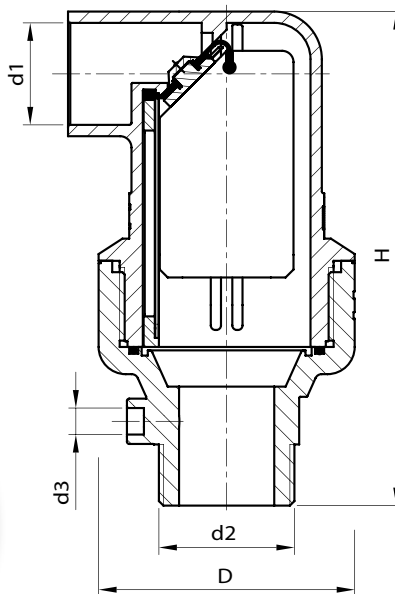
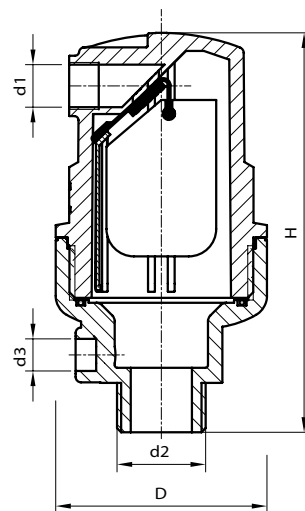
Float:
Polypropylene foam

Gasket:
Silicon rubber, potable water approved

O-Rings:
EPDM rubber, potable water approved



DETAIL A:
brass pressure discharge valve (optional version)



d2	PFA	H	D	d1	d3	Weight (kg)
1"	0,5-16/25	142	75	3/8"	1/4"	0,3
2"	0,5-16/25	275	112	1"1/2	1/4"	1,1

All metal, rubber, and coatings used have been designed for contact with water for human consumption, pursuant to the terms of Italian Health Ministry decree n° 174, dated 6/4/2004.

