

COMBINATION TYPE FROM DUCTILE IRON

MOD. 5301

PN 16

DN 50-250

MOD. 5302

PN 25

DN 50-250



Flanged connection, stainless steel fasteners.

SPECIAL FEATURES

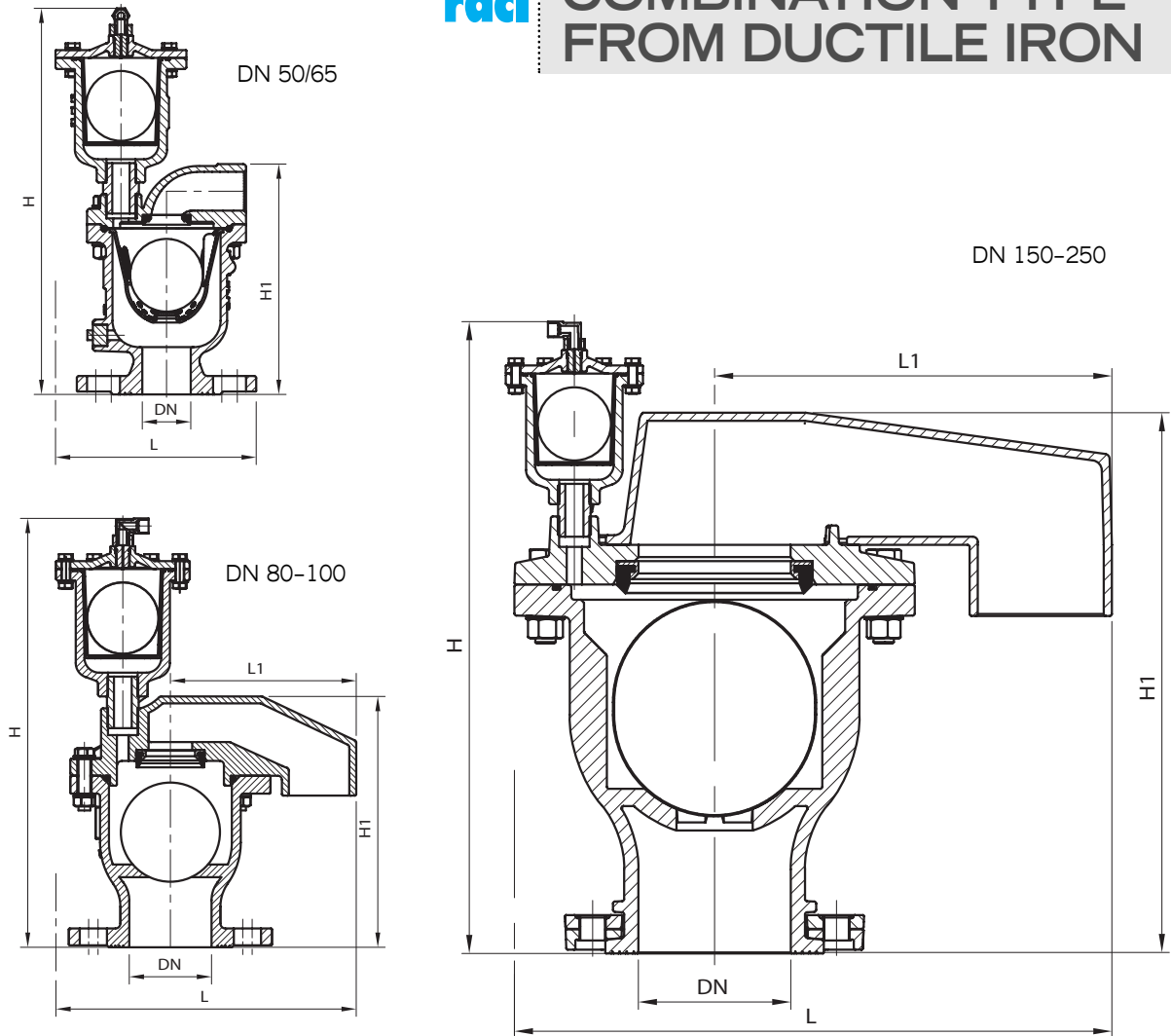
- Double orifice type, fully automatic triple function for releasing air during pipe filling and bringing air in (anti-vacuum) during pipe emptying, releasing air under pressure.
- Performances according to the requirements of EN 1074.
- Body and cover high quality polyamide (Rilsan - PA11) powder coated (fusion bonded), coating thickness DFT min. 250 micron, zero porosity (tested with 3000V), high impact resistance and cross-linkage according to DIN 30677-2 and DIN 3476.
- Floats from non-corrosive material.
- Body provided with threaded drilling for discharging ball valve connection (available on request).
- Flanged connection with multi-size universal drilling to reduce stock variances (DN 50-65 PN 16-25; DN 80 PN 16-25 and DN 100 PN 16-25).
- From DN150 slip-on flange version: versatility and orientation changing on field option.
- Inner basket (up to DN80) or special guides into body casting (from DN150) to keep float in optimal position during operation.
- Minimum operating pressure for watertight: 0,5 bar.

» **PERFORMANCES:
FUNCTIONAL DIAGRAMS
AT PAGE 5.11**



All metal, rubber, and coatings used have been designed for contact with water for human consumption, pursuant to the terms of Italian Health Ministry decree n° 174, dated 6/4/2004.

COMBINATION TYPE FROM DUCTILE IRON



MATERIALS

Body and cover:

Ductile iron EN-GJS-400-15 / EN 1563
(former to DIN GGG40)

Kinetic unit float:

Up to DN80: polyamide, fully EPDM rubber lined
PN10/16 or stainless steel 1.4301/ EN ISO10088
(equivalent to AISI304), fully rubber lined
(DN 50/65) - PN 25

From DN100: stainless steel 1.4301 / EN ISO10088
(equivalent to AISI304)

Air release unit float:

Polyamide, fully EPDM rubber lined - PN 10/16
Stainless steel 1.4301/ EN ISO10088
(equivalent to AISI304), fully rubber lined - PN 25

Seat:

Brass CuZn40Pb2

Seat sealing:

Outlined EPDM rubber, potable water approved

Basket:

ABS

O-Rings:

EPDM rubber, potable water approved

Bolts/nuts/washers:

Stainless steel A2-70 / EN ISO 3506.
Stainless steel A4-70 on request

Plug:

Galvanised malleable iron, or stainless steel

DN	PFA	H	H1	L	L1	Weight (kg)
50/65	0,5-16/25	400	240	207	-	17,6
80	0,5-16/25	434	253	302	188	23,5
100	0,5-16/25	459	286	350	220	33,4
150	0,5-16/25	622	532	597	391	99
200	0,5-16/25	622	532	597	391	105
250	0,5-16/25	717	623	626	391	151

All metal, rubber, and coatings used have been designed for contact with water for human consumption, pursuant to the terms of Italian Health Ministry decree n° 174, dated 6/4/2004.

