

BUTTERFLY VALVES

CENTRIC TYPE - LUG



MOD. 3401 | **PN 10-16** | **DN 50-1200**
MOD. 3402 | **PN 25** | **DN 50-500**



Butterfly with threaded holes ring for wafer installation or end of line.

SPECIAL FEATURES

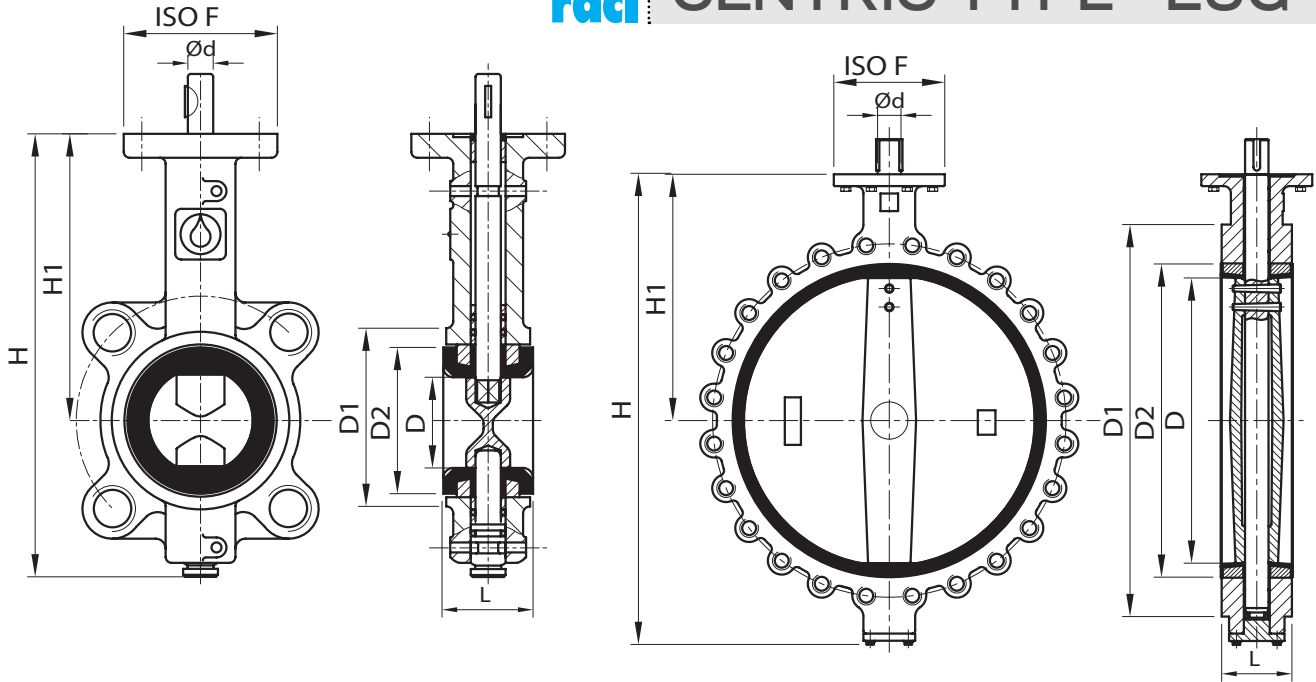
- Wafer type for mounting between two counter flanges, with threaded holes for end line installation.
- Design according to the requirements of EN 1074 and certified according to European directive 97/23/CE (PED) by third part organisation (module H).
- Body completely high quality epoxy powder coated (fusion bonded).
- Face-to-face reduced dimensions according to EN 558-1 Series 20 -(former DIN 3202-K1).
- Shut-off system without seat reducing the net flow section.
- Inside fully rubber lined by a sleeve (changeable up to DN 300).
- From DN300 single shaft version hinged into the disc.
- Bearings in self-lubricated material with secondary O-Rings sealing embedded.
- Manual operation by lever (standard equipment up to DN 200) or by gearbox and handwheel (DN>200).
- On request, the valves could be equipped by extension spindle (for underground installation), electric or pneumatic actuators.



MATERIALS

BODY	COD.	DISC	SHAFT(S)	LINER	BEARINGS
Cast iron EN-GJL-250	Z01	Stainless steel 1.4401 (UNI X5CrNiMo1712 or AISI 316)	Stainless steel 1.4021 (UNI X2CrS13 or AISI 420)	EPDM	Resin or self- lubricated bronze
	Z03	Stainless steel 1.4401 (UNI X5CrNiMo1712 or AISI 316)		NBR	
	Z05	Ductile iron EN-GJS-400-15 nickel plated		EPDM	
	Z07	Ductile iron EN-GJS-400-15 nickel plated		NBR	
	Z09	Galvanized steel		EPDM	
	Z11	Galvanized steel		NBR	
	Z13	Stainless steel 1.4301 (UNI X5CrNi1810 or AISI 304)		EPDM	
	Z15	Stainless steel 1.4301 (UNI X5CrNi1810 or AISI 304)		NBR	
	Z20	Ductile iron EN-GJS-400-15 epoxy coated		VITON	
Ductile iron EN-GJS-400-15	Q01	Stainless steel 1.4401 (UNI X5CrNiMo1712 o AISI 316)	Stainless steel 1.4021 (UNI X2CrS13 or AISI 420)	EPDM	Resin or self- lubricated bronze
	Q03	Stainless steel 1.4401 (UNI X5CrNiMo1712 o AISI 316)		NBR	
	Q05	Ductile iron EN-GJS-400-15 nickel plated		EPDM	
	Q07	Ductile iron EN-GJS-400-15 nickel plated		NBR	
	Q09	Galvanized steel		EPDM	
	Q11	Galvanized steel		NBR	
	Q13	Stainless steel 1.4301 (UNI X5CrNi1810 or AISI 304)		EPDM	
	Q15	Stainless steel 1.4301 (UNI X5CrNi1810 or AISI 304)		NBR	
	Q20	Ductile iron EN-GJS-400-15 epoxy coated		VITON	

All metal, rubber, and coatings used have been designed for contact with water for human consumption, pursuant to the terms of Italian Health Ministry decree n° 174, dated 6/4/2004.



DN	H	H1	L	D	D1		D2		ISO F		ød
					PN 10-16	PN 25	PN 10-16	PN 25	PN 10-16	PN 25	
50	241	161	43	51	93		76,5		F05		13
65	264	175	46	63	108	120	89	86	F05		13
80	276	181	46	77,5	123	126	104	100,9	F05		13
100	314	200	52	103	153	156	135	129	F07		16
125	340	213	56	122	181	187	159	153	F07		19
150	365	226	56	154,5	210	212	188,5	185,5	F07		19
200	435	260	60	201	263	264	238	235	F10		22,5
250	495	292	68	249	317	325	292,5	289,5	F10		29
300	579	337	78	300	375	375	344	341,5	F12		32
350	635	368	78	332	405	442	375	372,5	F12		32
400	701	400	102	387,5	470	502	439	436	F14		33,5
450	749	422	114	438,5	521	558	490	487	F14	F16	38
500	841	480	127	489	565	618	535	532	F14	F16	41,5
600	1021	562	154	590	693		654,5		F16		51
700	1156	629	165	691,5	800		744		F25		64
800	1260	666	190	792	906		850		F25		64
900	1375	722	203	861	1015		947		F25		75
1000	1518	800	216	961	1134		1053		F25		85

DN > 1000 on demand.
 DN ≥ 700 "U-type" version.

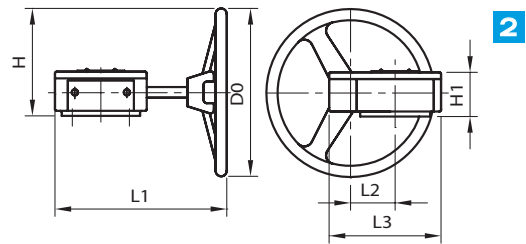
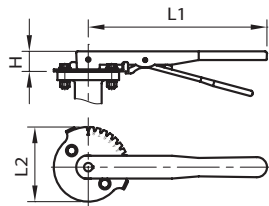
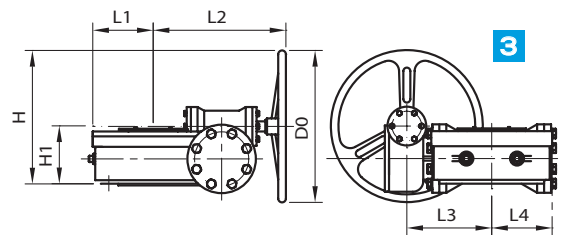


Fig.	DN	L1	L2	L3	L4	H	H1	D0
1	50-150	267	52	-	-	32	-	-
	200-300	359	75	-	-	50	-	-
2	80-150	212	45	129	-	113	65	145
	200-250	305	62	171	-	182	70	285
	300-350	300	85	198	-	182	77	285
	400-450	423	120	280	-	247	103	385
3	500-600	490	122	316	-	270	143	385
	700	173	359	245	173	373	158	425
	800-900	146	337	230	146	378	149	425
	1000	201	399	279	201	409	185	425



All metal, rubber, and coatings used have been designed for contact with water for human consumption, pursuant to the terms of Italian Health Ministry decree n° 174, dated 6/4/2004.