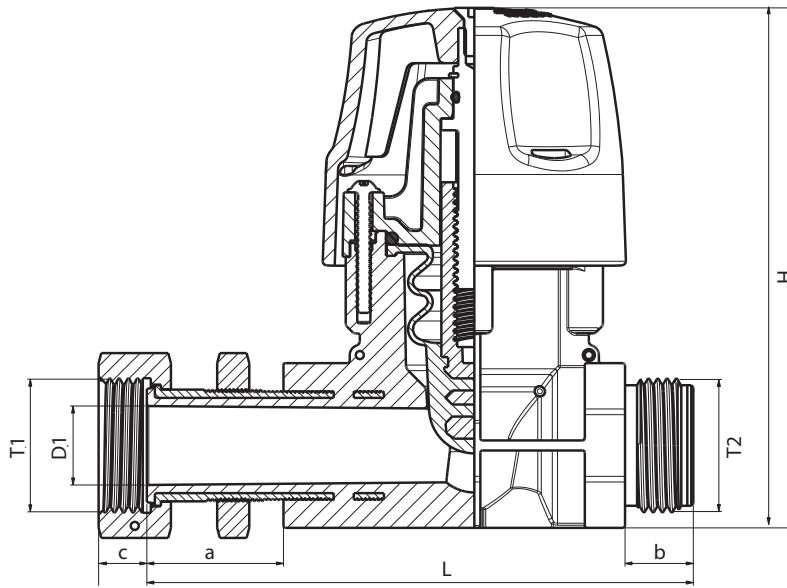


MOD. 2271  
MOD. 2272PN 16  
PN 16DN 3/4" - 1"  
DN 3/4" - 1"On/off membrane valve internal/external threading  
and brass insert.**SPECIAL FEATURES**

- Body and cover in high resistance composite AKULON® complete with brass inserts to guarantee the best stiffness joint to low weight.
- Dry operating mechanism: the innovative design of the wedge with monoblock membrane completely isolates the valve cover from the fluid.
- No drainage hole on wedge thanks to the isolation by monoblock membrane.
- Membrane in ARNITEL®, an innovative material which assures low variations in properties between low and high temperatures, excellent resistance to creep, excellent resistance to compression, excellent chemical resistance and impermeable to bacteria and free from ageing.
- Thanks to the special design of wedge and technical material of membrane, the valve can have very low flow without lamination effect.
- Perfect sealing at 16 bar by very low closing torque (< 20Nm).
- Secondary sealing by ORing on spindle.
- Full bore body.
- On demand, discharge DN 1/4" on body.
- Threaded connections complete with overmolded brass inserts in order to keep potable water in contact only with AKULON®.

On request: customized  
versions with lockable handwheel  
made by reinforced plastic.**Lead Free**  
FOR POTABLE WATER

All metal, rubber, and coatings used have been designed for contact with water for human consumption, pursuant to the terms of Italian Health Ministry decree n° 174, dated 6/4/2004.



### MATERIALS

**Viti, circlips:**

Acciaio Inox A2

**Screws, circlips:**

Stainless steel A2

**Body, cover, handwheel:**

Akulon®

**O-ring:**

NBR

**Stem:**

Brass CuZn40Pb2

**Nut stem:**

Akulon® (brass on demand)

**Membrane:**

Arnitel® TPEE WRAS and Hydrocheck approved

**Inserts:**

Brass CuZn40Pb2

Ø	D1 (DN)	T1	T2	a	b	c	L	H	Weight (kg)
1"-1"	20	G1"	G 1"	34	17	12	136	125	0,57
3/4"-3/4"	15	G 3/4"	G 3/4"	40	15	12	120	125	0,4

All metal, rubber, and coatings used have been designed for contact with water for human consumption, pursuant to the terms of Italian Health Ministry decree n° 174, dated 6/4/2004.