

**MOD. 10187** | **PN 10-16** | **DN 80-800**

Repair and connection stainless steel clamp double band.



### SPECIAL FEATURES

- Sealing and repairing of cracks, holes and breaks on pipes, even for oval pipes, pipes made from different materials (steel, ductile iron, asbestos cement, plastic) carrying water and other fluids in pressure or not.
- Connection of off centre pipes (max. angular flexion of 2°) and pipes are out of line or offish (few millimetres of distance).
- Wide tolerance on the external diameter of the pipe.
- Light and easy to install.
- Made by two work pieces. Repair clamps can be obtained by connecting more terminal junctions.
- Rapid socket bolt each 100 mm length, Teflon coated in threaded part to avoid gripping problems.
- Fully realized from stainless steel with passivated welding for an high resistance to corrosion.
- Voltaic cell effect by using different materials (i.e. ductile iron terminal junction + stainless steel band+ steel bolts) is avoided.
- The terminal junction is welded on the band allowing an increasing of tightening torque for each bolt ensuring a better sealing of the clamp.
- Available with flanged outlet (series 30) from DN 50 up to DN 200 and PN 10 or 16 drilling. Band range from 10 mm (standard) up to 20 mm (on request).
- Available with outlet with parallel internal threading Rp ½" - Rp 3".

### MATERIALS

#### Band and clamp:

Stainless steel 1.4301 (equivalent to AISI 304)  
 on request 1.4401 (equivalent to AISI 316)

#### Sealing gasket:

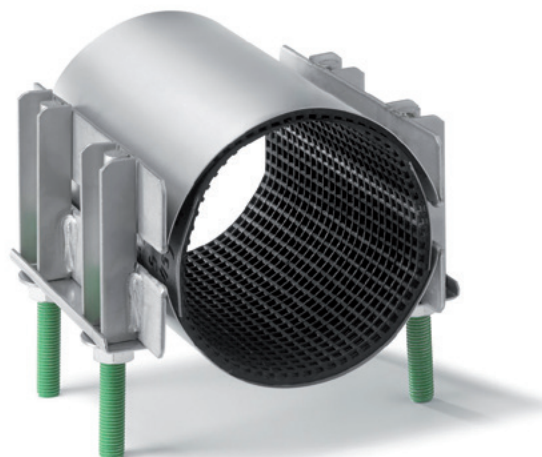
Rubber with grid profile

#### Rods:

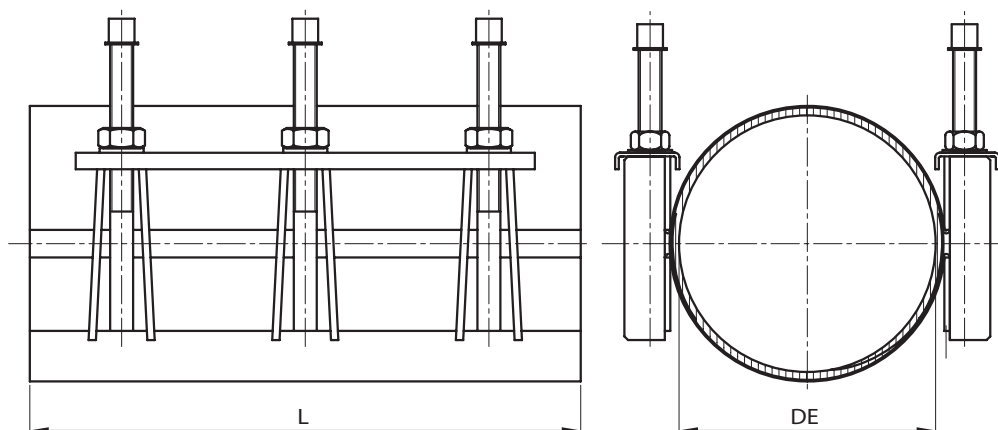
Stainless steel 1.4301 (equivalent to AISI 304)  
 with Teflon coating on threaded part

#### Nuts:

Stainless steel A2-70 EN ISO 3506



All metal, rubber, and coatings used have been designed for contact with water for human consumption, pursuant to the terms of Italian Health Ministry decree n° 174, dated 6/4/2004.



DN	Range	PFA	L						
80	88-110	16	200	250	300	400	500	-	-
100	108-128	16	200	250	300	400	500	-	-
100	112-134	16	200	250	300	400	500	-	-
100	120-140	16	200	250	300	400	500	-	-
125	133-155	16	200	250	300	400	500	-	-
125	138-160	16	200	250	300	400	500	-	-
150	158-180	16	200	250	300	400	500	-	-
150	168-190	16	200	250	300	400	500	-	-
175	190-210	10	200	250	300	400	500	-	-
175	195-217	10	200	250	300	400	500	-	-
200	210-230	10	200	250	300	400	500	-	-
200	216-238	10	200	250	300	400	500	-	-
200	225-246	10	200	250	300	400	500	-	-
225	238-260	10	200	250	300	400	500	-	-
225	251-271	10	200	250	300	400	500	-	-
250	273-293	10	200	250	300	400	500	-	-
250	295-315	10	200	250	300	400	500	-	-
300	314-335	10	-	250	300	400	500	600	-
300	322-344	10	-	250	300	400	500	600	-
300	334-354	10	-	250	300	400	500	600	-
300	340-360	10	-	250	300	400	500	600	-
350	348-368	10	-	-	300	400	500	600	-
350	365-385	10	-	-	300	400	500	600	-
350	376-396	10	-	-	300	400	500	600	-
350	390-410	10	-	-	300	400	500	600	-
400	404-424	10	-	-	300	400	500	600	-
400	420-440	10	-	-	300	400	500	600	750
400	440-460	10	-	-	-	400	500	600	750
450	457-477	10	-	-	-	400	500	600	750
450	468-488	10	-	-	-	400	500	600	750
450	488-508	10	-	-	-	400	500	600	750
500	500-520	10	-	-	-	400	500	600	750
500	520-540	6	-	-	-	400	500	600	750
500	545-565	6	-	-	-	400	500	600	750
500	568-588	6	-	-	-	400	500	600	750
500	586-606	6	-	-	-	400	500	600	750
600	600-620	6	-	-	-	400	500	600	750
600	625-645	6	-	-	-	400	500	600	750
700	705-725	4	-	-	-	-	-	600	750
700	730-750	4	-	-	-	-	-	600	750
700	755-775	4	-	-	-	-	-	600	750
800	805-825	3	-	-	-	-	-	600	750
800	835-855	3	-	-	-	-	-	600	750

All metal, rubber, and coatings used have been designed for contact with water for human consumption, pursuant to the terms of Italian Health Ministry decree n° 174, dated 6/4/2004.