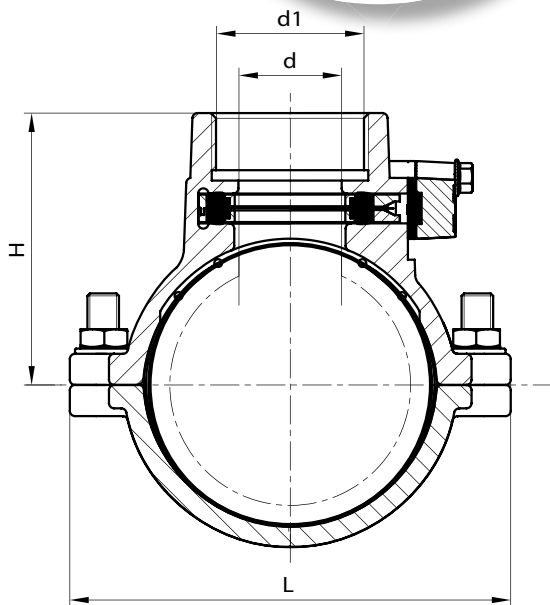


SHUT OFF TYPE FOR PE AND PVC PIPES



Shut off saddle blades mod 8940-8941



MOD. 8521
PN 16

PIPES DN 63-200
OUTLETS DN 3/4" - 2"

Shut off full collar type for PE/PVC pipes.

SPECIAL FEATURES

- Full collar type for use on plastic pipes (PE / PVC).
- Body high quality epoxy powder coated (fusion bonded), coating thickness DFT min. 250 microns, zero porosity (tested with 3000V), high impact resistance and cross-linkage according to DIN 30677-2 and DIN 3476.
- Complete with integral double O-ring sealing shut-off device for under pressure drilling (hot tapping).
- Inside fully rubber lined with integral multiple O-ring sealing gasket at the outlet.
- Stud bolts for easy installation, fully corrosion-free.
- Threads according to EN 10226.

MATERIALS

Body:

Ductile iron EN-GJS-400-15 / EN 1563
(former to DIN GGG40)

Gasket:

Rubber, potable water approved

Stud/bolts/nuts/washers:

Stainless steel 1.4301 / EN ISO 10088
(correspondent to AISI304)

Shut-off device:

Guides from POM
O-rings from rubber (potable water approved)
Cover from polyamide PA
Bolts from stainless steel A2-70 EN ISO 3506

Ø	L	d					H					Weight (kg)				
		3/4"	1"	1"1/4	1"1/2	2"	3/4"	1"	1"1/4	1"1/2	2"	3/4"	1"	1"1/4	1"1/2	2"
63	124	31	31	31	-	-	76	76	76	-	-	2,4	2,3	2,29	-	-
75	135	31	31	31	-	-	83	83	83	-	-	2,87	2,77	2,82	-	-
90	150	-	43	43	43	40	-	89	94	94	94	-	2,95	3,1	3,13	3,23
110	170	-	43	43	43	40	-	100	105	105	105	-	3,47	3,55	3,49	3,81
125	192	-	43	43	43	40	-	108	113	113	113	-	4	4,07	4,12	4,07
140	208	-	43	43	43	40	-	120	125	125	125	-	5,43	5,62	5,77	5,66
160	230	-	43	43	43	40	-	133	138	138	138	-	6,56	6,74	6,57	6,68
200	282	-	43	43	43	40	-	156	161	161	161	-	8,93	8,38	9,04	9,39

All metal, rubber, and coatings used have been designed for contact with water for human consumption, pursuant to the terms of Italian Health Ministry decree n° 174, dated 6/4/2004.