

PIPE SADDLES
**UNIVERSAL SHUT
 OFF TYPE**



MOD. 8360
PN 16

PIPES DN 40-150
OUTLETS DN 3/4" - 1 1/4"

Reduced body for easy installation on little diameter pipes.



MOD. 8370
PN 16

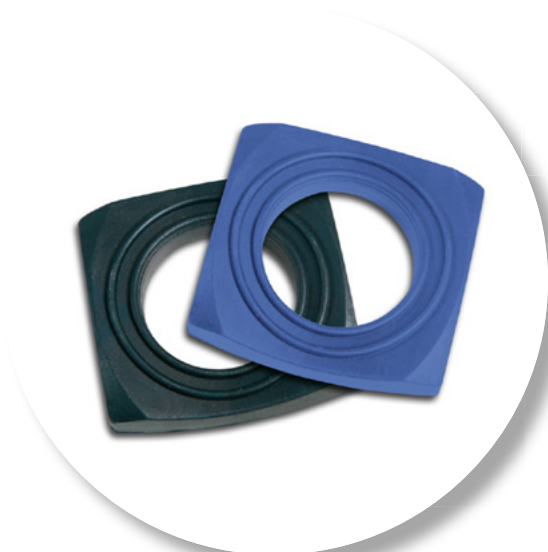
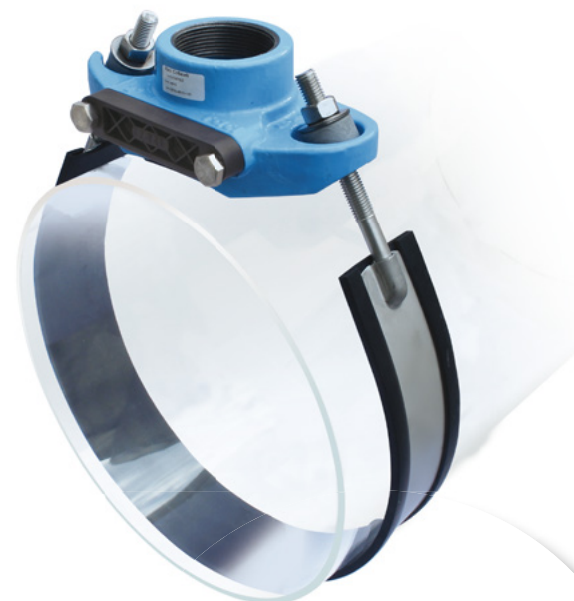
PIPES DN 50-400
OUTLETS DN 3/4" - 2"

Standard body for every diameter.

SPECIAL FEATURES

- Universal type for use on cast iron, ductile iron, steel and AC pipes.
- One body for various dimensions of pipes.
- Body high quality epoxy powder coated (fusion bonded), coating thickness DFT min. 250 microns, zero porosity (tested with 3000V), high impact resistance and cross-linkage according to DIN 30677-2 and DIN 3476.
- Complete with integral double O-ring sealing shut-off device for under pressure drilling (hot tapping).
- Multiple O-ring-profile gasket for a reliable sealing (will be supplied with the saddle strap: available in four different measures and two different materials according to pipe dimensions and pipe material).
- Threads according to EN 10226.
- Closing torque: 80 Nm.

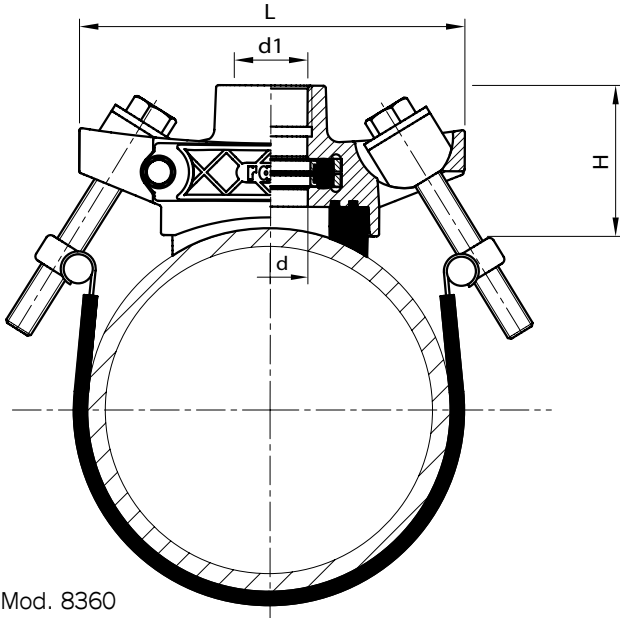
- ✓ Black gasket for steel and cast or ductile iron pipes.
- ✓ Blue gasket suitable for CA pipes.



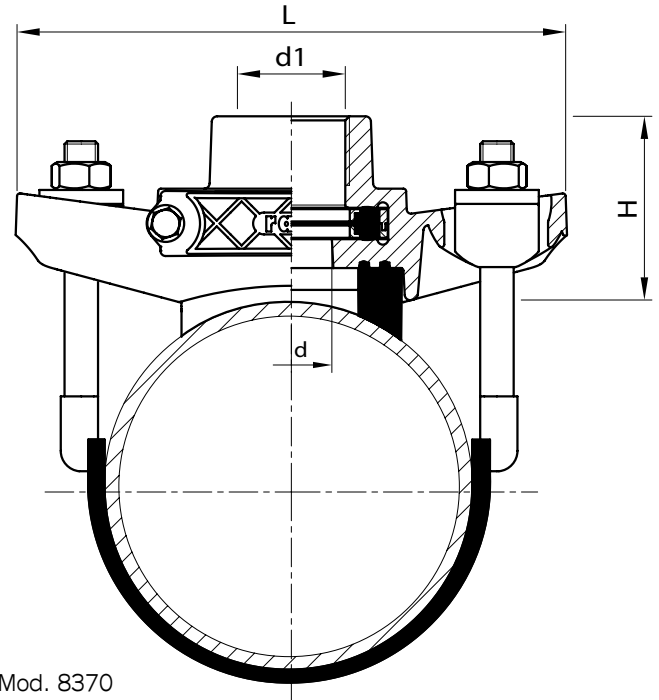
Shut off saddle blades mod. 8940-8941

All metal, rubber, and coatings used have been designed for contact with water for human consumption, pursuant to the terms of Italian Health Ministry decree n° 174, dated 6/4/2004.

UNIVERSAL SHUT OFF TYPE



Mod. 8360



Mod. 8370

MATERIALS

Body:

Ductile iron EN-GJS-400-15 / EN 1563 (former to DIN GGG40)

Gasket:

NBR rubber 90° Shore $\pm 5^\circ$ (standard version black colour)
NBR rubber 70° Shore $\pm 5^\circ$ (special version blue colour)

Shut-off device:

Guides from POM
O-rings from rubber (potable water approved)
Cover from polyamide PA
Bolts from stainless steel A2-70 EN ISO 3506

d	d1	L	H	Weight (kg)
31	3/4"	160	62	1,2
31	1"	160	62	1,2
31	1"1/4	160	62	1,2

d	d1	L	H	Weight (kg)
27	3/4"	200	68	2
34	1"	200	68	2
43	1"1/4	200	68	2
43	1"1/2	200	68	2
43	2"	200	68	2

All metal, rubber, and coatings used have been designed for contact with water for human consumption, pursuant to the terms of Italian Health Ministry decree n° 174, dated 6/4/2004.