

# BREAK AWAY TYPE "OMERO"



**MOD. 6152** | **PN 16** | **DN 80/100**

Ductile iron hydrant above ground with No.2 outlets.



**MOD. 6153** | **PN 16** | **DN 80/100**

Ductile iron hydrant above ground with No.3 outlets.

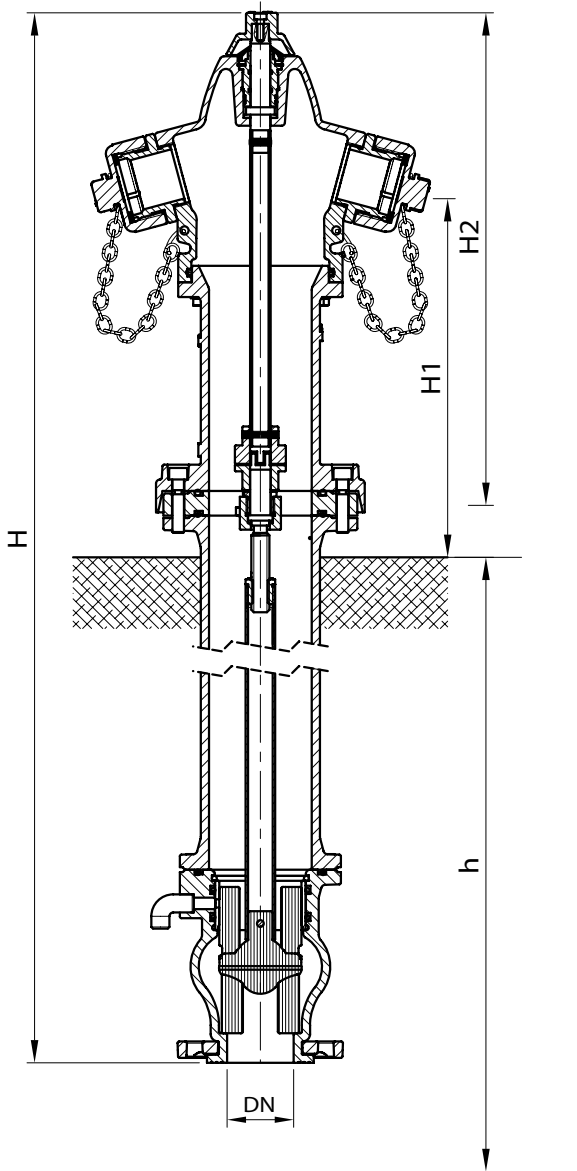
## SPECIAL FEATURES

- Proper screwed connection between head and column with prearranged breaking section.
- The breakaway system to avoid the water losses in case of accidental break of hydrant by an impact with separation of hydrant head from its column.
- According to the requirements of EN 14384 type C and EN 1074-6.
- Generously oversized column for high water capacity.
- Plug fully rubber vulcanised with special O-ring profile for soft lateral sealing without high compression of any rubber.
- Hydrant head, column and base high quality EPOXY powder coated (fusion bonded), UV deterioration resistant.
- Multiple O-ring spindle sealing system embedded in non-corrosive material to DIN 3547-1.
- Stainless steel spindle (single forged round bar with rolled threading).
- Gliding disc on the spindle neck to reduce friction when operating the spindle.
- Sealing seat from stainless steel cylinder replaceable deeply corrosion and lamination resistant.
- Automatic drainage system at closed position of the plug.
- Routable flange at hydrant inlet for easy positioning.
- Marking according to EN 19.
- Outlet couplings (hose connections) and operating caps according to various standards possible, according to the following combinations:
  - 2 x 2' 1/2";
  - 2 x 2 1/2" + 1 x 4"
- Possibility for mounting customized indicator plate (name, logo, etc.).
- Suitable complete with 90° duckfoot bend.
- CE CPR305/2011
- Available protection helmet (MOD. 6200 pag. 6.5) realized in ABS resin, designed to cover the hydrant complete with outlets and covers.



All metal, rubber, and coatings used have been designed for contact with water for human consumption, pursuant to the terms of Italian Health Ministry decree n° 174, dated 6/4/2004.

# BREAK AWAY TYPE "OMERO"



## MATERIALS

**Head, column, basement and flanged connection:**  
Ductile iron EN-GJS-400-15 / EN 1563  
(former to DIN GGG40)

**Spindle:**  
Stainless steel 1.4021/EN ISO 10088  
(equivalent to UNI X20Cr13 or AISI420)

**Plug:**  
Ductile iron EN-GJS-400-15 / EN 1563 fully EPDM  
rubber vulcanised, potable water approved

**Bush and pipe nut:**  
Brass CuZn40Pb2

**Operating pipe:**  
Steel C40 galvanized (on request stainless steel  
1.4301 / EN ISO10088 - AISI304)

**Drive:**  
Ductile iron EN-GJS-400-15 / EN 1563 galvanized

**Friction disc:**  
POM resin

**O-Rings and gaskets:**  
EPDM rubber, potable water approved

**Operating cap, nipples and plugs:**  
Aluminium (brass on request)

**Chains:**  
Stainless steel 1.4301/EN ISO 10088 (AISI304)

**Bolts/nuts/washers:**  
Stainless steel A2-70 / EN ISO 3506

## OPERATION

Manual action by pentagonal key as standard

DN	h	H	H1	H2	Weight (kg)
80	1000	1541	450	612	91
100	1000	1541	450	612	97

All metal, rubber, and coatings used have been designed for contact with water for human consumption, pursuant to the terms of Italian Health Ministry decree n° 174, dated 6/4/2004.

## PROTECTION HELMET

MOD. 6200

DN 80/100

Protection helmet for column/breakaway hydrant.

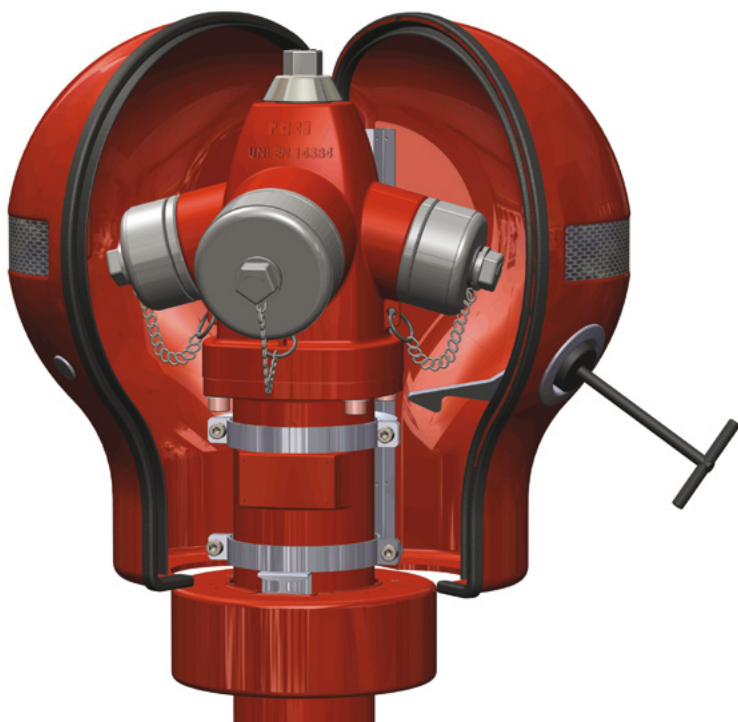


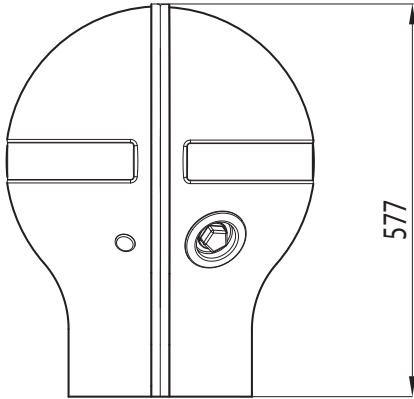
MOD. 6201

Unlocking key.

## SPECIAL FEATURES

- The protection helmet is designed to cover the hydrant complete with outlets and covers.
- Practical, modern and original design, complete with reflector tape homologated ONU/ECE104.
- It is realized in ABS resin (red colour RAL3000) with high resistance to weathering and to mechanical stress.
- Half-shells realized in ABS complete with plastic centering profile.
- Locking device with pentagonal key according to UNI 9485 with spring return (on demand, the key can be customized).
- Galvanized bracket with stainless steel A2 fixing bolts ISO 7380.
- Cover for breakaway connection in ABS complete with stainless steel A2 fixing screws.
- It can be mounted on hydrants on site.
- On demand, it can be fitted to different models of hydrants.





**MATERIALS**

**Half shells and cover for breakaway flanges:**  
ABS resin

**Hinges:**  
Stainless steel 1.4301 / EN ISO 10088  
(equivalent to AISI 304)

**Anchoring bracket:**  
Galvanised steel

**Locking device:**  
Aluminium

**Connecting screws:**  
Stainless steel A2-70 EN ISO 3506

