

COMBINATION TYPE FROM
DUCTILE IRON AND PAMOD. 5371
MOD. 5372PN 16
PN 25DN 50-250
DN 50-250

Flanged connection, stainless steel fasteners.

SPECIAL FEATURES

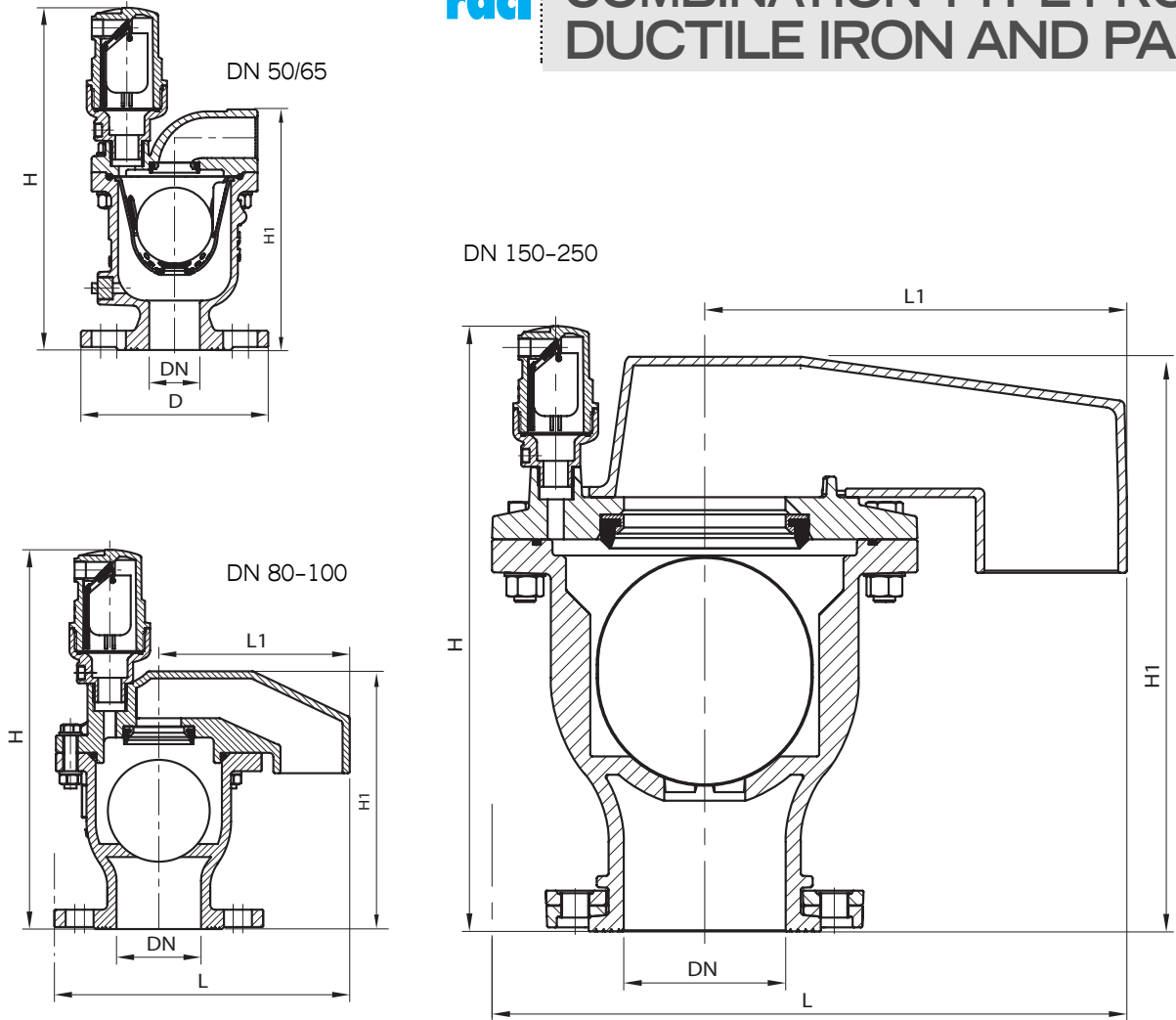
- Double orifice type, fully automatic triple function for releasing air during pipe filling and bringing air in (anti-vacuum) during pipe emptying, releasing air under pressure.
- Kinetic function carried out by ductile iron unit, air releasing under pressure executed by PA unit.
- Performances according to the requirements of EN 1074.
- Body and cover high quality polyamide (Rilsan - PA11) powder coated (fusion bonded), coating thickness DFT min. 250 micron, zero porosity (tested with 3000V), high impact resistance and cross-linkage according to DIN 30677-2 and DIN 3476.
- Floats from non-corrosive material.
- Body provided with threaded drilling for discharging ball valve connection (available on request).
- Flanged connection with multi-size universal drilling to reduce stock variances (DN 50-65 PN 16-25; DN 80 PN 16-25 and DN 100 PN 16-25).
- From DN150 slip-on flange version: versatility and orientation changing on field option.
- Inner basket (up to DN80) or special guides into body casting (from DN150) to keep float in optimal position during operation.
- Minimum operating pressure for watertight: 0,5 bar.

» **PERFORMANCES:**
FUNCTIONAL DIAGRAMS
AT PAGE 5.11
AND AT PAG. 5.12



All metal, rubber, and coatings used have been designed for contact with water for human consumption, pursuant to the terms of Italian Health Ministry decree n° 174, dated 6/4/2004.

COMBINATION TYPE FROM DUCTILE IRON AND PA



MATERIALS

Body and cover:

Kinetic unit - Ductile iron EN-GJS-400-15 / EN 1563 (former to DIN GGG40)
Air release unit - Polyamide PA fibre glass reinforced

Float:

Kinetic unit - Up- to DN80: polyamide, fully EPDM rubber lined - PN10/16 or stainless steel 1.4301/ EN ISO10088 (equivalent to AISI304), fully rubber lined (DN 50/65)
PN 25 From DN100: stainless steel 1.4301/ EN ISO10088 (equivalent to AISI304) Air release unit - Polypropylene foam

Seat:

Brass CuZn40Pb2

Seat sealing:

Outlined EPDM rubber, potable water approved

Basket:

ABS

O-Rings:

EPDM rubber, potable water approved

Gasket air release unit:

Silicone, potable water approved

Bolts/nuts/washers:

Stainless steel A2-70 / EN ISO 3506.
Stainless steel A4-70 on request

Plug:

Galvanised malleable iron, or stainless steel on request

DN	PFA	H	H1	L	L1	Weight (kg)
50/65	0,5-16/25	330	240	207	-	13,7
80	0,5-16/25	365	253	302	188	19,6
100	0,5-16/25	390	286	350	220	29,5
150	0,5-16/25	550	532	597	391	95,1
200	0,5-16/25	550	532	597	391	101,1
250	0,5-16/25	650	623	626	391	147,1

All metal, rubber, and coatings used have been designed for contact with water for human consumption, pursuant to the terms of Italian Health Ministry decree n° 174, dated 6/4/2004.

