

DOUBLE ECCENTRIC TYPE

MOD. 3100	PN 10	DN 100 - 2000
MOD. 3101	PN 16	DN 100 - 2000
MOD. 3102	PN 25	DN 100 - 2000

Flanged body c/w gearbox and handwheel

MOD. 3110	PN 10	DN 100 - 2000
MOD. 3111	PN 16	DN 100 - 2000
MOD. 3112	PN 25	DN 100 - 2000

Flanged body c/w gearbox and extension spindle for underground installation

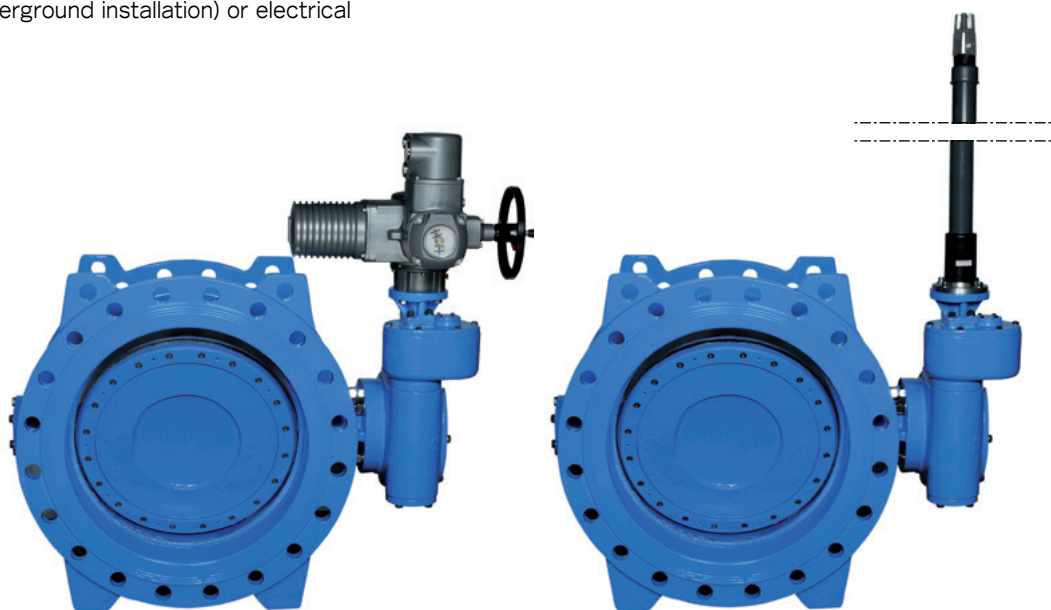
MOD. 3200	PN 10	DN 100 - 2000
MOD. 3201	PN 16	DN 100 - 2000
MOD. 3202	PN 25	DN 100 - 2000

Flanged body c/w gearbox and electric actuator

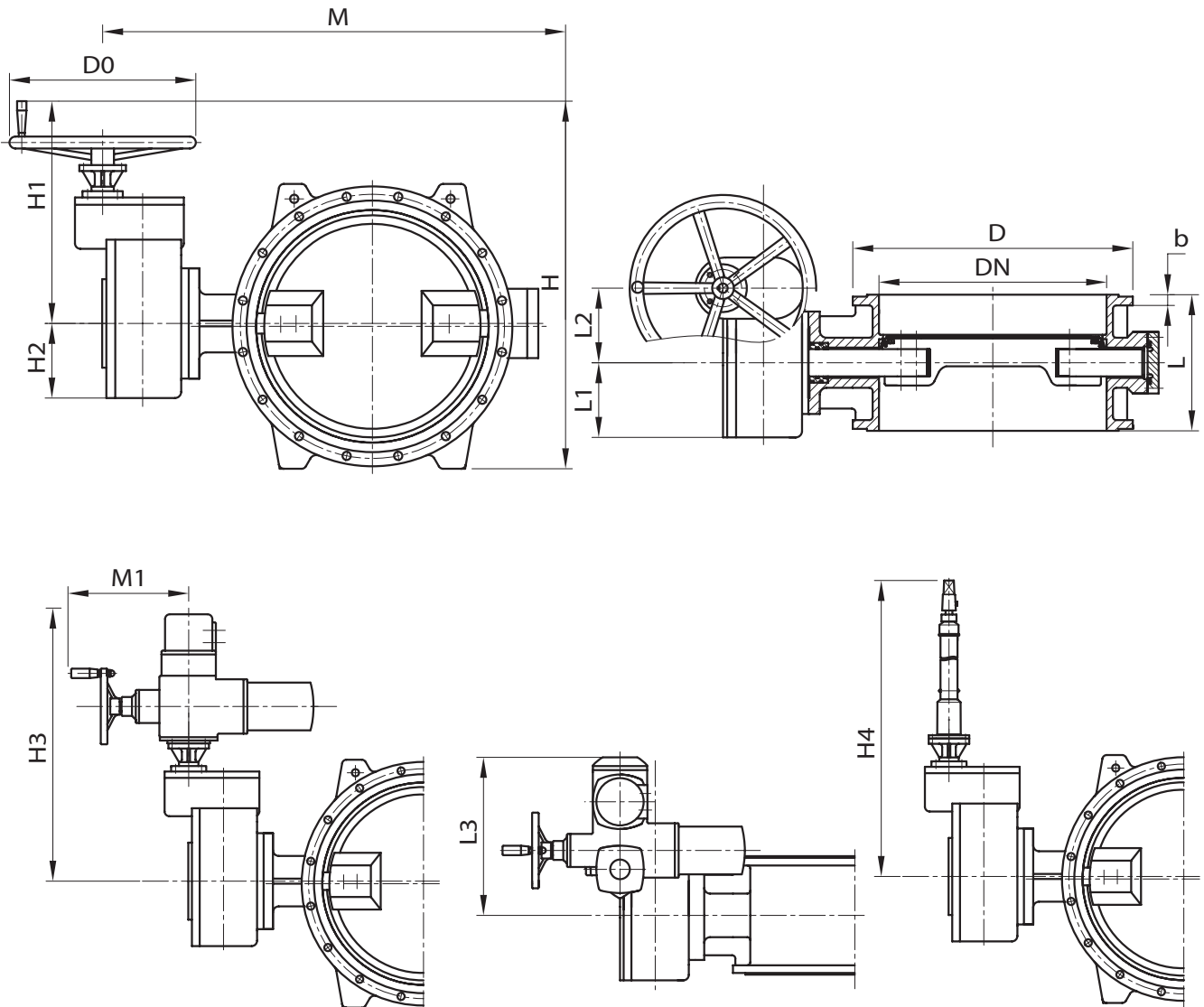


SPECIAL FEATURES

- Double eccentric type.
- Bidirectional sealing.
- Design according to the requirements of EN 1074.
- Face-to-face dimensions according to EN 558-1 Series 14 (former DIN 3202-F4).
- Body, disc, retainer ring and gear box high quality epoxy powder coated (fusion bonded) minimum thickness 250 microns.
- Sealing seat from CrNi hardened stainless steel, welded to the body and machined (or mechanical fixed, removable).
- Sealing gasket changeable.
- Shaft from stainless steel with maintenance-free O-ring sealing embedded in non-corrosive material to DIN 3547-1.
- Gear box flanges for mounting automatic electric actuators to EN ISO 5211.
- Manual operation by handwheel, operating cap, extension spindle (underground installation) or electrical actuator.



All metal, rubber, and coatings used have been designed for contact with water for human consumption, pursuant to the terms of Italian Health Ministry decree n° 174, dated 6/4/2004.



MATERIALS

Body, disc, retainer ring and gear box:
Ductile iron EN-GJS-500-7/EN 1563
(former to DIN GGG50)

Shaft:
Stainless steel 1.4021/EN ISO 10088
(equivalent to UNI X20Cr13 or AISI420)

Sealing seat:
Austenitic nickel-chromium stainless steel
(equivalent quality to AISI304)

O-Ring bush:
Brass CuZn40Pb2

Anti friction bushes:
Multilayer steel honeycomb and lubricating graphite

O-Rings and disc seal:
Rubber, potable water approved

All metal, rubber, and coatings used have been designed for contact with water for human consumption, pursuant to the terms of Italian Health Ministry decree n° 174, dated 6/4/2004.

BUTTERFLY VALVES

DOUBLE ECCENTRIC TYPE



DN	PN	L	D	b	MANUAL OPERATED										MOTOR OPERATED				
					H	L1	L2	H1	H2	DO	M	H4	TURNS Nr.	kg	H3	M1	L3	type	Kg
100	10	190	220	19	372	77	48	257	68	160	370	1257	7	50	467	250	245	SA07.2/F10	70
	16				382						467				250	245	SA07.2/F10	70	
	25				397						467				250	245	SA07.2/F10	70	
125	10	200	250	19	387	77	48	257	68	160	420	1257	7	52	467	250	245	SA07.2/F10	72
	16				460						467				250	245	SA07.2/F10	72	
	25				460						530				250	284	SA07.6/F10	75	
150	10	210	285	19	405	77	48	257	68	160	498	1257	7	55	467	250	245	SA07.2/F10	75
	16				478						516				467	250	245	SA07.2/F10	85
	25				478						596				530	250	284	SA07.2/F10	90
200	10	230	340	20	498	125	87	320	105	320	619	1320	18,5	76	530	250	284	SA07.2/F10	96
	16				508						632				530	250	284	SA07.2/F10	96
	25				508						632				530	250	284	SA07.6/F10	107
250	10	250	395	22	523	125	87	320	105	320	691	1320	18,5	106	530	250	284	SA07.2/F10	126
	16		405		530						110			530	250	284	SA07.6/F10	131	
	25		425		540						115			530	250	284	SA07.6/F10	136	
300	10	270	445	25	548	125	87	320	105	320	886	1320	18,5	120	530	250	284	SA07.2/F10	140
	16		460		558						145			530	250	284	SA07.6/F10	166	
	25		485		570						169			530	254	284	SA10.2/F10	194	
350	10	290	505	25	578	125	87	320	105	320	861	1320	18,5	166	530	250	284	SA07.6/F10	187
	16		520		588						180			530	254	284	SA10.2/F10	205	
	25		555		720						203			645	254	323	SA07.6/F10	228	
400	10	310	565	25	639	182	140	349	152	320	897	1349	18	205	559	250	337	SA07.6/F10	226
	16		580		733						210			645	250	323	SA07.6/F10	231	
	25		620		825						290			715	250	343	SA10.2/F10	311	
450	10	330	615	26	750	190	126	435	133	360	1081	1435	18	262	645	254	323	SA10.2/F10	287
	16		640		763						277			645	254	323	SA07.6/F10	302	
	25		670		848						356			715	254	343	SA10.2/F10	381	
500	10	350	670	27	777	190	126	435	133	360	1047	1435	80	352	645	254	323	SA07.6/F10	377
	16		715		870						360			715	250	343	SA10.2/F10	381	
	25		730		877						485			715	250	343	SA07.6/F10	506	
600	10	390	780	30	909	216	183	512	212	450	1244	1512	80	558	722	250	380	SA07.6/F10	579
	16		840		933						566			715	250	343	SA07.6/F10	587	
	25		845		942						580			722	254	380	SA10.2/F10	605	
700	10	430	895	33	967	216	183	512	212	450	1405	1512	157	691	722	250	380	SA07.6/F10	712
	16		910		977						745			722	254	380	SA10.2/F10	770	
	25		960		1051						842			773	254	450	SA10.2/F10	867	
800	10	470	1015	35	1027	216	183	512	212	450	1493	1512	157	863	722	254	380	SA10.2/F10	888
	16		1025		1034						875			722	254	380	SA10.2/F10	900	
	25		1085		1176						1210			836	254	462	SA10.2/F10	1235	
900	10	510	1115	38	1077	216	183	512	212	450	1703	1512	157	1080	722	254	380	SA10.2/F10	1105
	16		1125		1133						1190			773	254	450	SA10.2/F10	1215	
	25		1185		1226						1620			836	254	462	SA10.2/F10	1645	
1000	10	550	1230	40	1186	258	253	563	283	500	1895	1563	255	1750	773	254	450	SA10.2/F10	1775
	16		1255		1198						1880			773	254	450	SA10.2/F10	1905	
	25		1320		1294						2050			836	254	462	SA10.2/F10	2155	
1200	10	630	1455	45	1361	287	265	626	302	500	2272	1626	412,5	2313	836	254	462	SA10.2/F10	2338
	16		1485		1376						2330			836	254	462	SA14.2/F10	2355	
	25		1530		1399						2435			846	329	487	SA14.2/F14	2670	
1400	10	710	1675	46	1471	287	265	626	302	500	2515	1626	412,5	3456	846	329	487	SA14.2/F14	3506
	16		1685		1520						3510			880	254	562	SA10.2/F10	3535	
	25		1755		1663						3870			988	254	562	SA10.2/F10	3895	
1500	10	750	1785	47,5	1570	352	365	670	330	640	2678	1670	600	2980	880	254	562	SA10.2/F10	3005
	16		1820		1590						3870			890	329	587	SA14.2/F14	3920	
	25		1865		1718						4980			998	329	587	SA14.2/F14	5030	
1600	10	790	1915	49	1661	287	265	626	302	500	2770	1626	600	5162	846	329	487	SA14.2/F14	5212
	16		1930		1601						5800			846	329	487	SA14.2/F14	5850	
	25		1975		1773						6780			988	254	562	SA10.2/F10	6805	
1800	10	870	2115	52	1843	352	365	778	330	500	2682	1778	1200	5400	988	254	562	SA10.2/F10	5425
	16		2130		1863						5916			998	254	562	SA10.2/F10	5941	
	25		2195		1893						7280			1008	329	587	SA14.2/F14	7330	
2000	10	950	2325	55	1948	352	365	778	330	500	2957	1778	1200	8860	988	254	562	SA10.2/F10	8885
	16		2345		1968						10900			1008	329	587	SA14.2/F14	10950	
	25		2425		2008						13800			1008	329	587	SA14.2/F14	13850	

All metal, rubber, and coatings used have been designed for contact with water for human consumption, pursuant to the terms of Italian Health Ministry decree n° 174, dated 6/4/2004.