

SOCKET RACI-PUSH



MODEL 2254 | PN 16 | DN 1" - 2"

Both ends with internal threading integrated to Raci-push socket.



SPECIAL FEATURES

- Inlet and outlet with integral socket for PE pipes (fully restraint type RaciPush) and female threading for steel pipe or fittings.
- Manufactured according to the requirements of EN 1074.
- Body and bonnet high quality powder coated (fusion bonded), coating thickness (DFT min. 250 microns), zero porosity (tested with 3000V), high impact resistance and cross-linkage according to DIN 30677-2 and DIN 3476
- Multiple O-Ring spindle sealing system embedded in non-corrosive material to DIN 3547-1.
- Additional back sealing disc for O-Rings replacement under pressure to ISO 7259.
- Non-rising stainless steel spindle (single forged round bar with rolled threading).
- Wedge on sealing surfaces completely rubber vulcanised, with drain hole.
- Fasteners protected against corrosion by special resin sealing.
- Threads according to EN 10226-1.
- Manual operation by handwheel, operating cup, extension spindle (underground installation).



MATERIALS

Body and bonnet:

Ductile iron according to EN-GJS-400-15 /EN 1563 (former to DIN GGG40)

Spindle:

Stainless steel 1.4021/EN ISO 10088 (equivalent to UNI X20Cr13 or AISI420)

Wedge:

Brass CuZn40Pb2, rubber vulcanised, potable water approved

O-Ring bush:

Brass CuZn40Pb2

Anti-friction bush:

POM

O-Rings, back seal, bonnet seal and dust cap:

Rubber, potable water approved

Fastening screws:

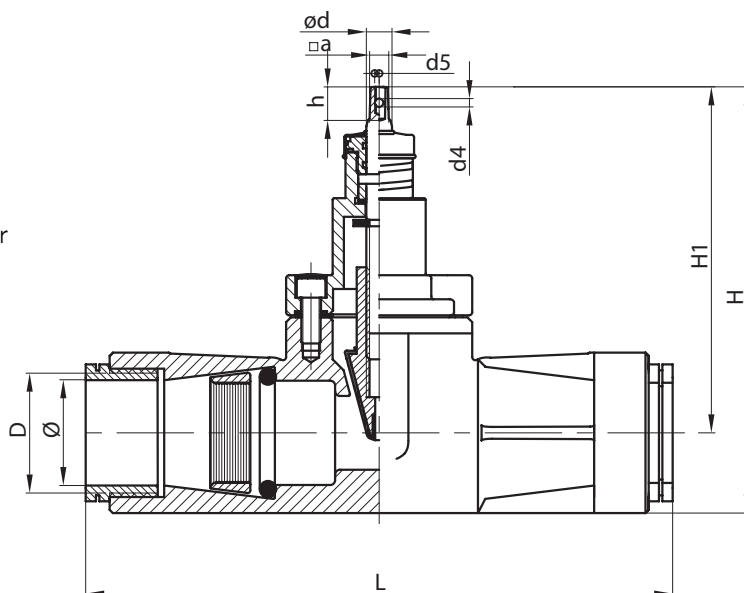
Steel class 8.8 to EN ISO 898

Grip ring:

POM

Fixing ring:

Polypropilene



Ø	D	d	d4/d5	L	h	a	H1	H	Weight (kg)
32	1"1/4	16	5/M5	230	21	10,5	169	198	3,4
40	1"1/2	16	5/M5	295	21	10,5	215	248	5,5
50	2"	16	5/M5	330	21	10,5	215	255	6,6
63	2"1/2	16	5/M5	365	21	10,5	215	265	8,5

All metal, rubber, and coatings used have been designed for contact with water for human consumption, pursuant to the terms of Italian Health Ministry decree n° 174, dated 6/4/2004.