

SPECIAL VALVES

BUTTERFLY CHECK VALVE



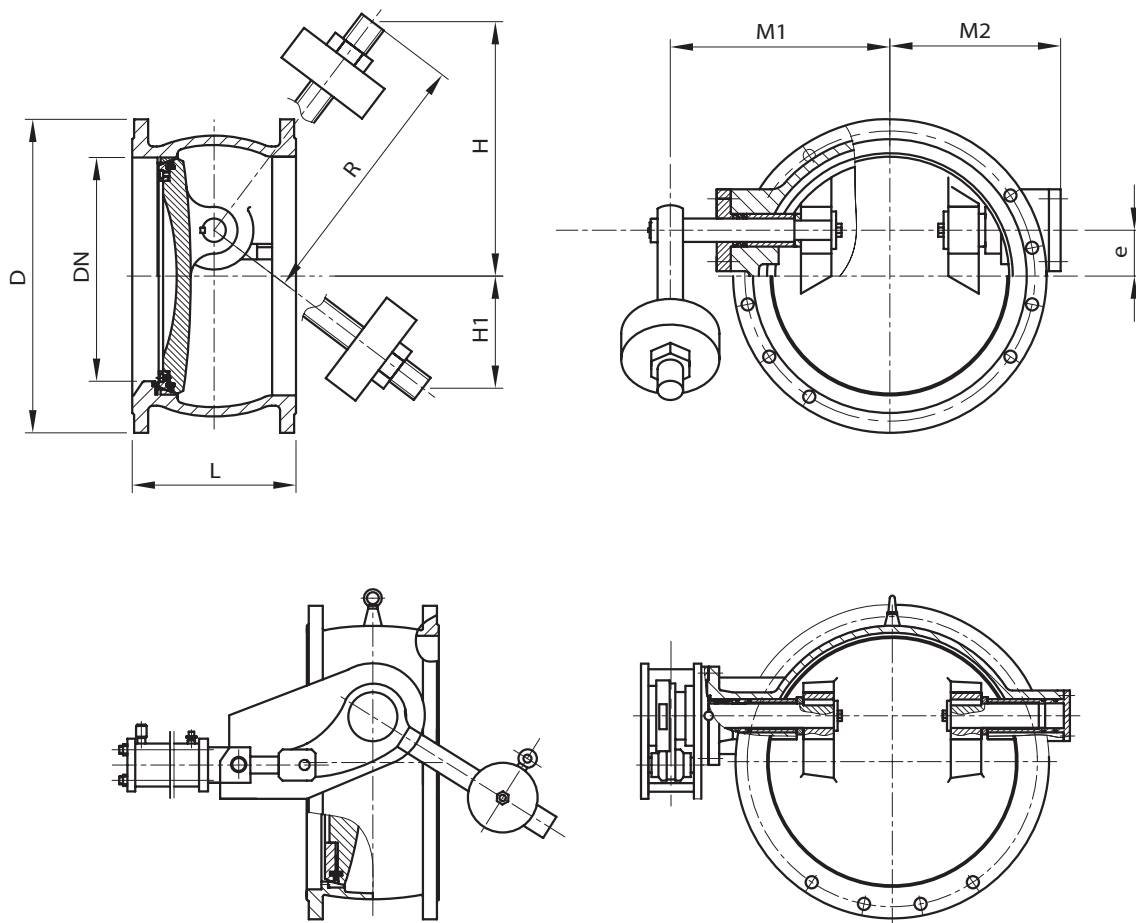
MOD. 11050
MOD. 11051
MOD. 11052

PN 10
PN 16
PN 25

DN 125-1200
DN 125-1200
DN 125-1200



Butterfly check valve. On demand available with damper piston.



MATERIALS

Body, disc, retainer ring:

Ductile iron EN-GJS-400-15/EN 1563
(former to DIN GGG40), internal and external
epoxy coated

Shaft:

Stainless steel 1.4021/EN ISO 10088
(equivalent to UNI X20Cr13 or AISI420)

Sealing seat welded on body:

Austenitic nickel-chromium stainless steel (equivalent
quality to AISI304)

O-Rings and disc sealing:

Rubber

Counterweight:

Cast iron EN-GJL-250/EN 1561 (former to DIN GG25)

BUTTERFLY CHECK VALVE

DN	PN	D	L	R	M1	M2	e	H1	H	Weight (kg)
250	10	405	250	500	655	235	50	304	404	138
	16				700	230				
	25	425								
300	10	460	270	500	480	250	65	289	419	165
	16				530	260				
	25	485								
350	10	520	290	500	510	280	70	284	424	210
	16				570	265				
	25	555								
400	10	580	310	500	535	325	78	276	432	280
	16				600	330				
	25	620								
450	10	640	330	500	580	340	88	266	442	360
	16				660	355				
	25	670								
500	10	715	350	500	600	380	98	256	452	410
	16				680	395				
	25	730								
600	10	840	390	500	670	440	118	236	472	540
	16				740	450				
	25	845								
700	10	910	430	870	680	490	138	477	753	670
	16				740	520				
	25	960								
800	10	1025	470	950	798	533	160	512	832	934
	16				850	570				
	25	1085								
900	10	1125	510	1115	885	580	180	608	968	1225
	16			1150	980	630		633	993	
	25	1185								
1000	10	1255	550	1200	975	640	200	648	1049	1700
	16			1250	1100	690		684	1084	
	25	1320								
1200	10	1485	630	1300	1100	760	220	699	1139	2343
	16			1350	1250	795		735	1175	
	25	1530								

All metal, rubber, and coatings used have been designed for contact with water for human consumption, pursuant to the terms of Italian Health Ministry decree n° 174, dated 6/4/2004.