

RACIGRIP SOCKET ENDS PE/PVC PIPES

MOD. 1100 | PN 16 | DN 50-300

Both ends with sockets for PE/PVC pipes, fully restraint



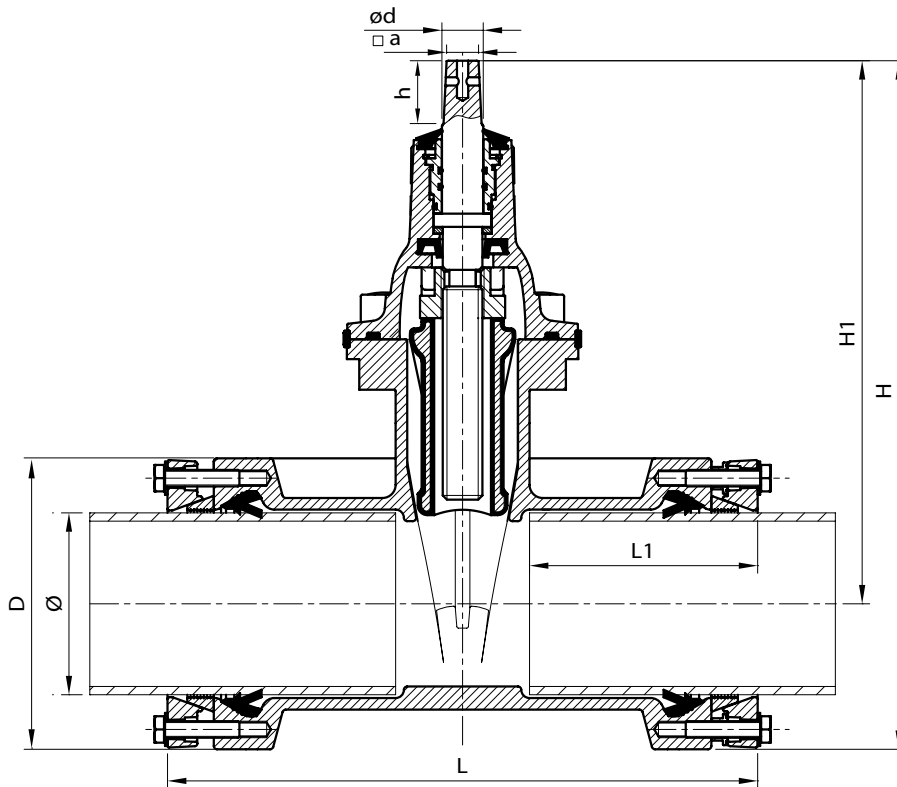
SPECIAL FEATURES

- Special gate valve to connect directly PE/PVC pipes, fully restraint by clamp ring with special interlocking teeth separated from the sailing system. Simply removing the clamp ring the model 1300 with sockets for PVC is obtained.
- Perfect tightness on plastic pipe by back seal hydraulically operating and independent from mechanical clamping of pipe. Special gasket KTW, W270 and EN 681-1 WA approved.
- Manufactured according to the requirements of EN 1074 and EN 1171 (min. torque strength Class2).
- Body and bonnet high quality EPOXY powder coated (fusion bonded), coating thickness DFT min. 250 micron, zero porosity (tested with 3000V), high impact resistance and cross-linkage according to DIN 30677-2 and DIN 3476.
- Multiple O-Ring spindle sealing system embedded in non-corrosive material to DIN 3547-1 and additional back lip-seal for double security.
- O-Rings changeable under pressure to ISO 7259.
- Non-rising stainless steel spindle (single forged round bar with rolled threading).
- Wedge inside and outside fully rubber vulcanised, with drain hole and special guiding rails to minimize friction.
- Solid flexible wedge nut from corrosion free material .
- Gliding disc on the spindle neck to reduce friction when operating the spindle. From DN 250 and bigger with additional axial roller bearing.
- Bolts protected against corrosion by special resin.
- Protection ring between body and bonnet to reduce risk of damages on the coating due to mechanical impacts during transport, handling and installation.
- Clamp ring with special interlocking teeth.
- Markings following EN 19.
- Manual operation by handwheel, operating cap, extension spindle (underground installation).



All metal, rubber, and coatings used have been designed for contact with water for human consumption, pursuant to the terms of Italian Health Ministry decree n° 174, dated 6/4/2004.

RACIGRIP SOCKET ENDS PE/PVC PIPES



MATERIALS

Body and bonnet:

Ductile iron EN-GJS-400-15/EN 1563 (former to DIN GGG40)

Spindle:

Stainless steel 1.4021/EN ISO 10088 (equivalent to UNI X20Cr13 or AISI 420)

Wedge:

Ductile iron EN-GJS-400-15/EN 1563 (former to DIN GGG40), EPDM rubber vulcanised, potable water approved

Wedge nut:

Brass CuZn40Pb2

O-Ring bush:

Brass CuZn40Pb2

Gliding disc:

POM

Back lip seal bonnet seal and dust cap:

EPDM rubber, potable water approved

Bonnet allen screws:

Steel class 8.8 to EN ISO 898-1, corrosion protected by special seal

Protection ring:

Reinforced plastic material

Grip ring:

Brass CuZn40Pb2

Bolts and washers for compression ring:

Stainless steel A2-70 EN ISO 3506

DN	Ø	D	H	H1	L	L1	□ a	Ø d	h	Weight (kg)
50	63	102	264	218	292	116	17,8 - 14,8	21	30	9,6
65	75	109	311	256	302	121	20,8 - 17,3	24	35	11,4
80	90	156	369	293	316	124	20,8 - 17,3	24	35	17
100	110	176	413	325	350	134	23 - 19,3	24	38	22,5
125	125	196	480	380	382	144	23 - 19,3	28	38	27
125	140	213	488	380	390	154	23 - 19,3	28	38	32
150	160	241	537	420	403	157	23 - 19,3	28	38	37,5
150	180	262	547	420	440	172	23 - 19,3	28	38	42
200	200	287	688	546	469	181	29 - 24,3	32	48	69
200	225	310	693	546	469	181	29 - 24,3	32	48	70
250	250	351	840	660	567	214	32 - 27,2	34	48	105
300	315	425	950	737	622	231	32 - 27,2	34	48	145

All metal, rubber, and coatings used have been designed for contact with water for human consumption, pursuant to the terms of Italian Health Ministry decree n° 174, dated 6/4/2004.