

MOD. 10085

PN 10-16

DN 15-300

Fast repair clamp single bolt.



SPECIAL FEATURES

- Fast repair clamp for permanent sealing of small damages and leakage in pressure pipelines adducting water, gas and others fluids.
- Suitable for pipes made form different materials (steel, cast iron, plastic, etc.).
- Single band completely made of stainless steel.
- Fast coupling bolt.
- Inner protection gasket for partial wrapping to seal the damaged hole's portion.

MATERIALS

Band:

Stainless steel 1.4301 EN ISO 10088
(equivalent to AISI 304)

Clamp:

Ductile iron EN-GJS-400-15 / EN 1563 galvanized
for corrosion protection

Sealing gasket:

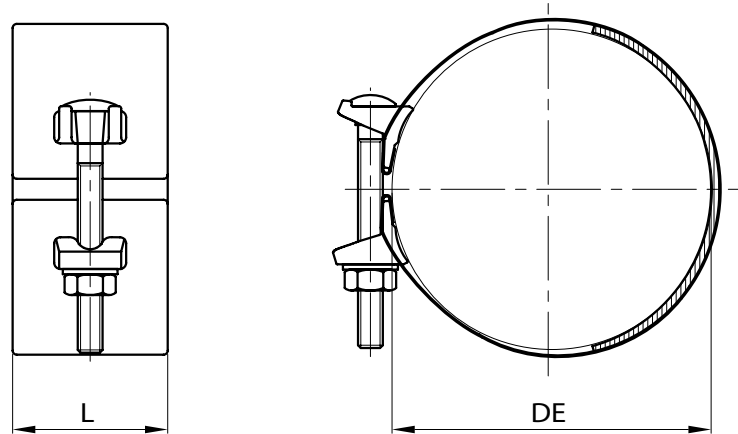
NBR rubber with grid profile

Bolts and nuts:

Galvanized steel Cl.4.6



All metal, rubber, and coatings used have been designed for contact with water for human consumption, pursuant to the terms of Italian Health Ministry decree n° 174, dated 6/4/2004.



DN		RANGE	PFA	L
15	1/2"	15-22	16	75/150/225
20	3/4"	21-25	16	75/150/225
20	3/4"	26-30	16	75/150/225
25	1"	33-37	16	75/150/225
32	1" 1/4	37-41	16	75/150/225
32	1" 1/4	42-45	16	75/150/225
40	1" 1/2	48-51	16	75/150/225
40	1" 1/2	50-54	16	75/150/225
40	1" 1/2	55-58	16	75/150/225
50	2"	60-64	16	75/150/225
50	2"	62-66	16	75/150/225
65	2" 1/2	65-69	16	75/150/225
65	2" 1/2	69-73	16	75/150/225
65	2" 1/2	71-76	16	75/150/225
65	2" 1/2	74-80	16	75/150/225
80	3"	87-93	16	75/150/225
80	3"	94-100	16	75/150/225
80	3"	99-104	16	75/150/225
100	4"	105-111	16	75/150/225
100	4"	112-117	10	75/150/225
100	4"	115-121	10	75/150/225
100	4"	120-126	10	75/150/225
100	4"	126-131	10	75/150/225
125	5"	131-136	10	75/150/225
125	5"	139-145	10	75/150/225
150	6"	156-162	10	75/150/225
150	6"	167-173	10	75/150/225
175	7"	173-179	10	75/150/225
175	7"	200-206	10	75/150/225
200	8"	217-223	10	75/150/225
200	8"	223-229	10	75/150/225
250	10"	272-278	6	75/150/225
300	12"	323-329	6	75/150/225

All metal, rubber, and coatings used have been designed for contact with water for human consumption, pursuant to the terms of Italian Health Ministry decree n° 174, dated 6/4/2004.